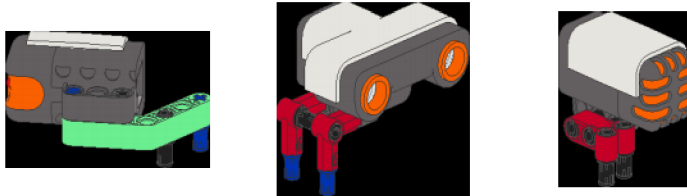
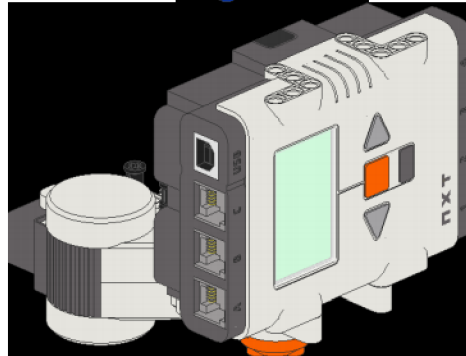


THE HEADBOT

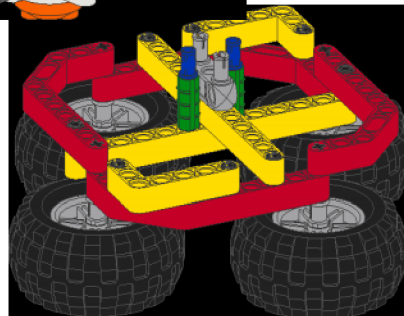
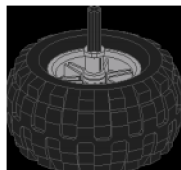
YOUR HEADBOT NEEDS:



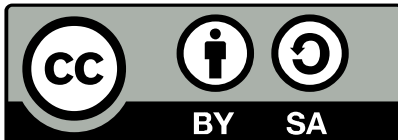
0 OR MORE
SENSORS (P9)



1 CORE (P1)

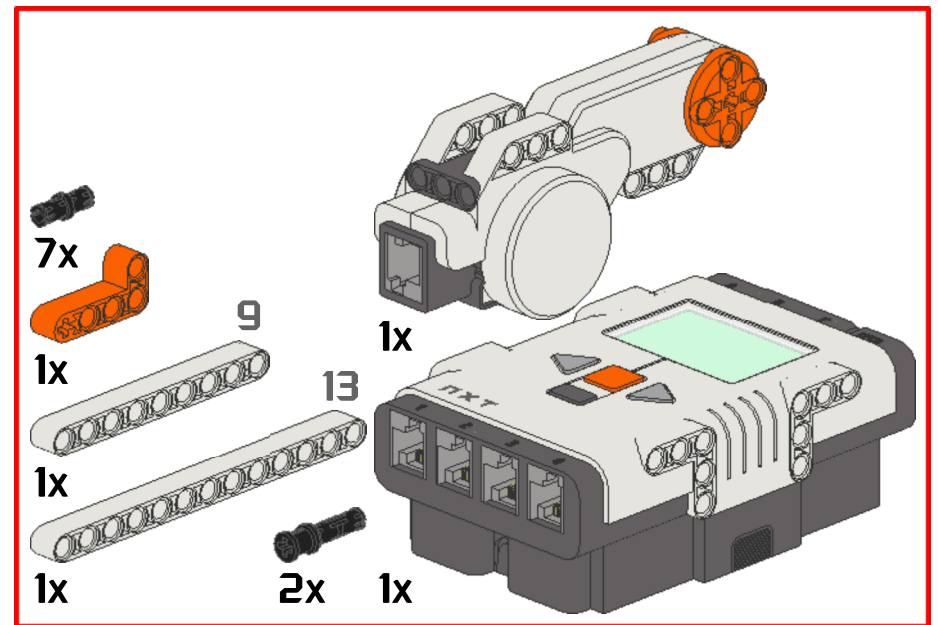
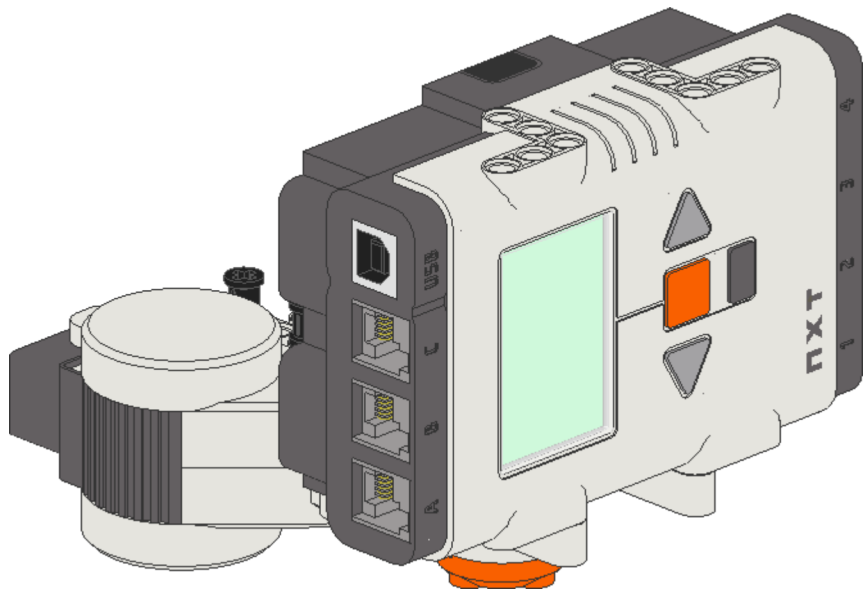


A QUICK BASE (P4)
OR FULL BASE (P5)

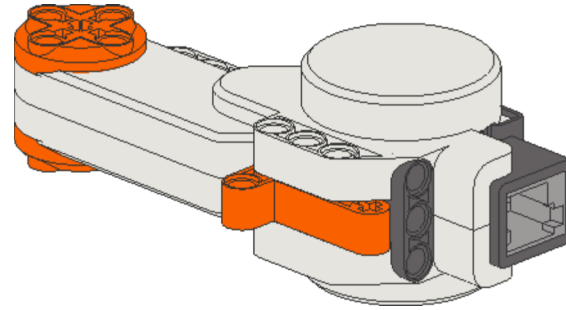
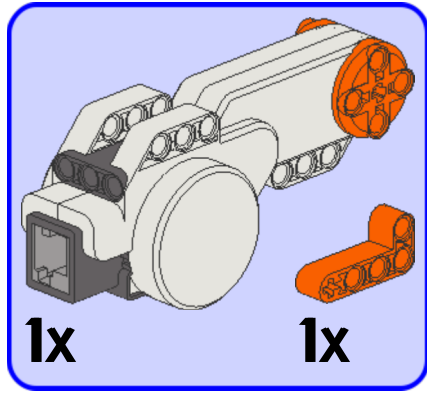


© 2011 CLINTON BLACKMORE. THIS WORK IS LICENSED UNDER THE CREATIVE COMMONS ATTRIBUTION-SHAREALIKE 3.0 UNPORTED LICENSE. TO VIEW A COPY OF THIS LICENSE, VISIT [HTTP://CREATIVECOMMONS.ORG/LICENSES/BY-SA/3.0/](http://creativecommons.org/licenses/by-sa/3.0/) OR SEND A LETTER TO CREATIVE COMMONS, 444 CASTRO STREET, SUITE 900, MOUNTAIN VIEW, CALIFORNIA, 94041, USA.

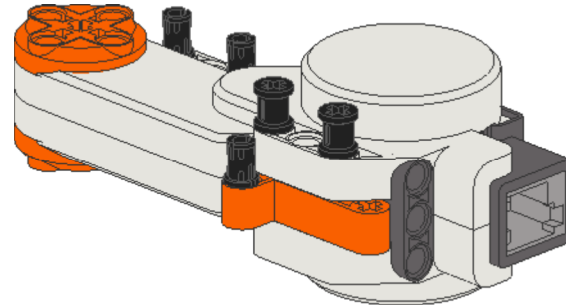
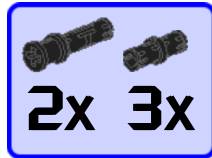
HEADBOT CORE



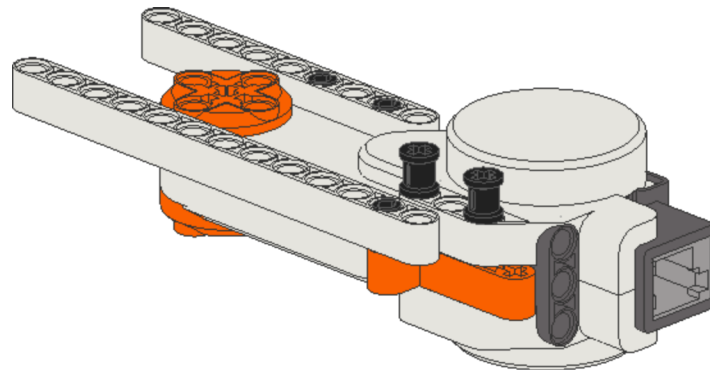
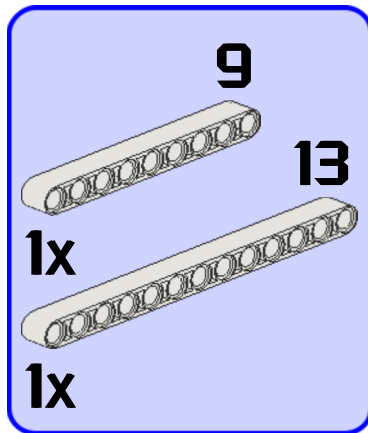
1




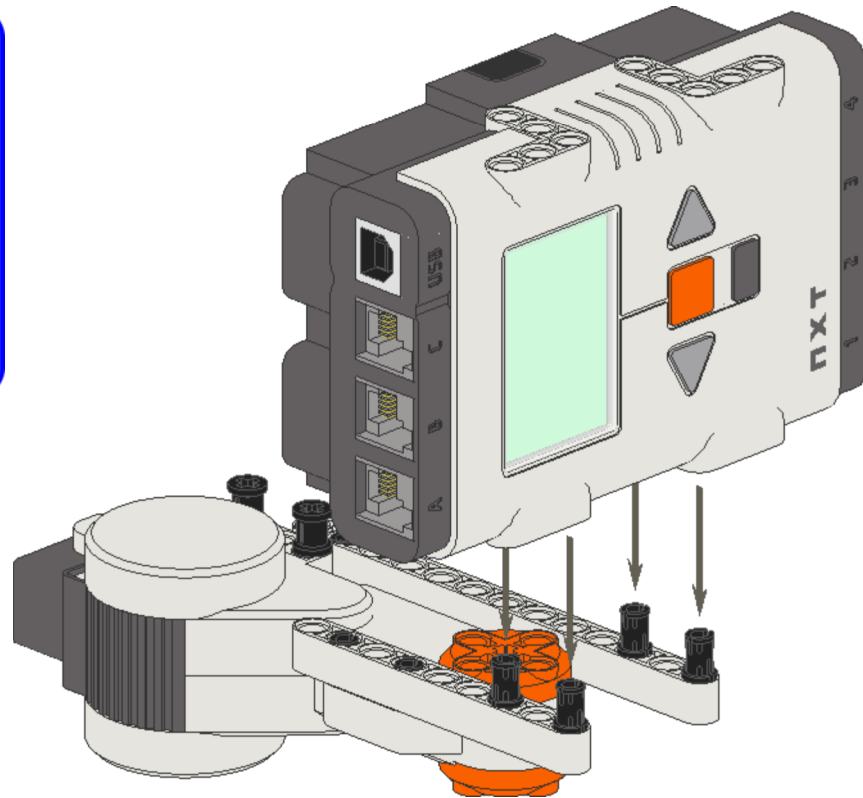
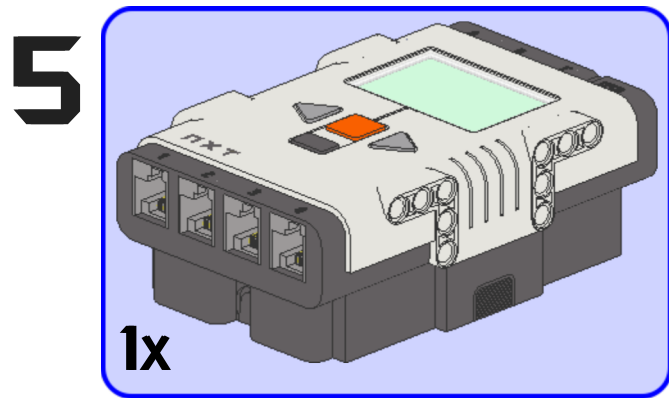
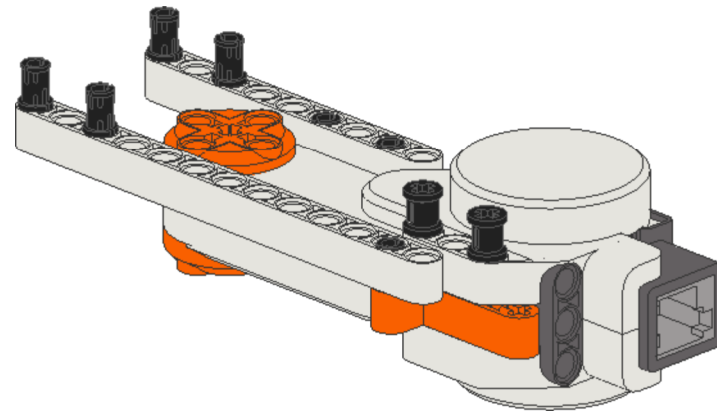
2



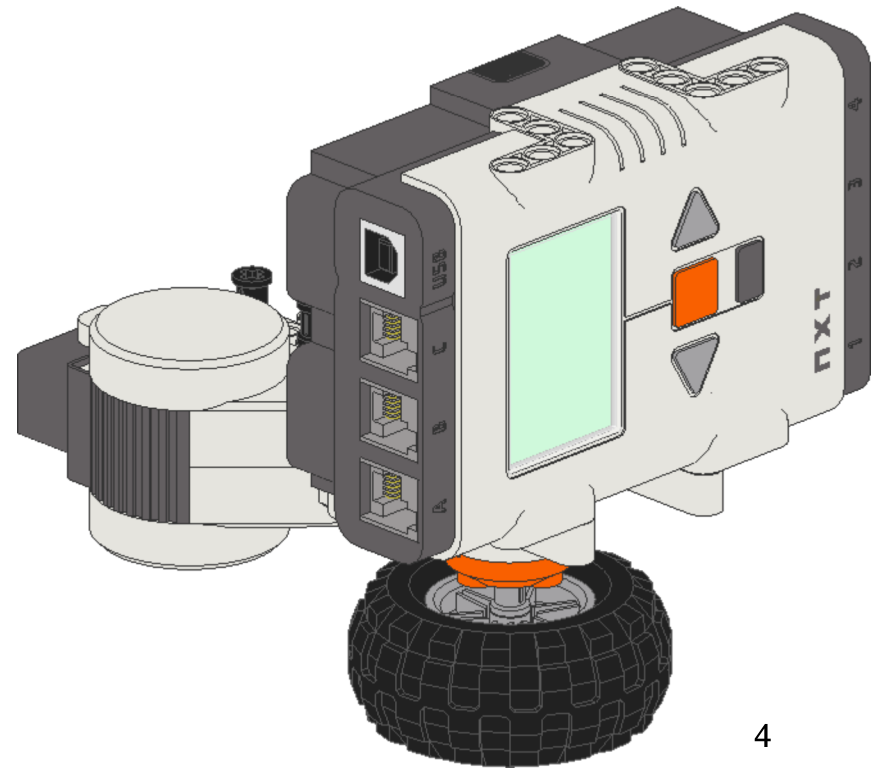
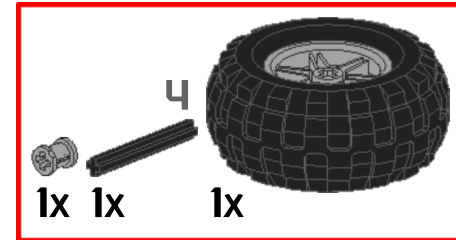
3



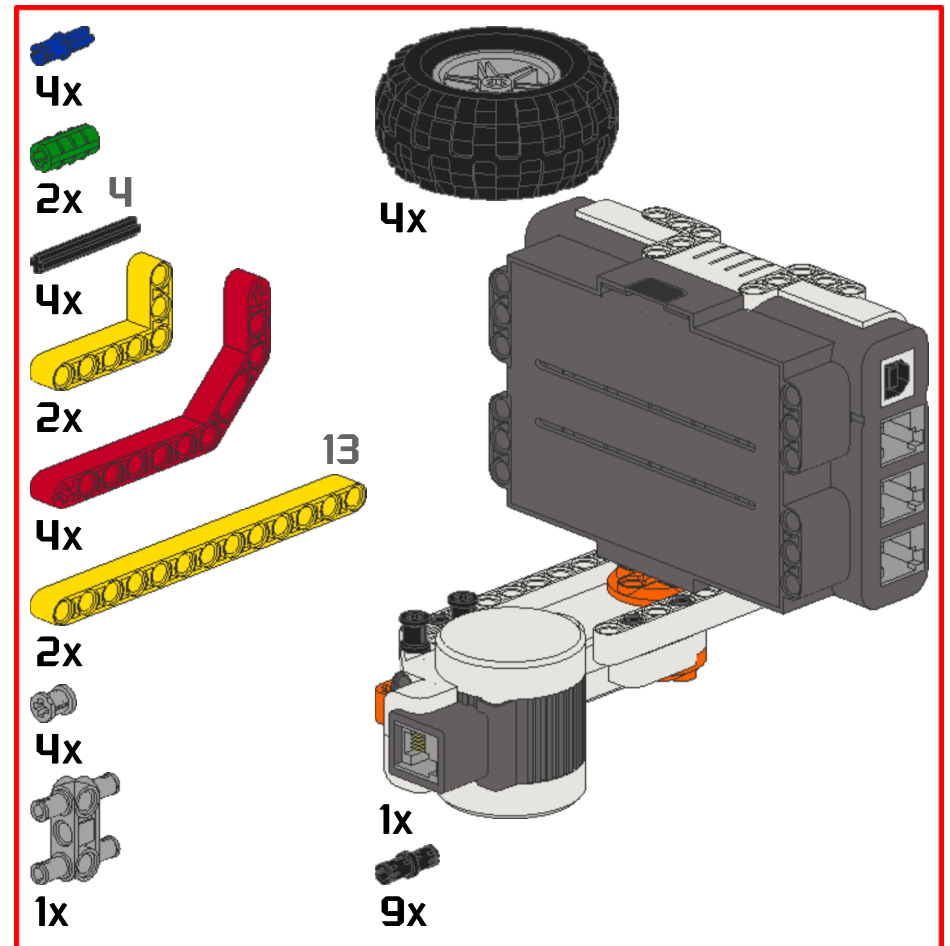
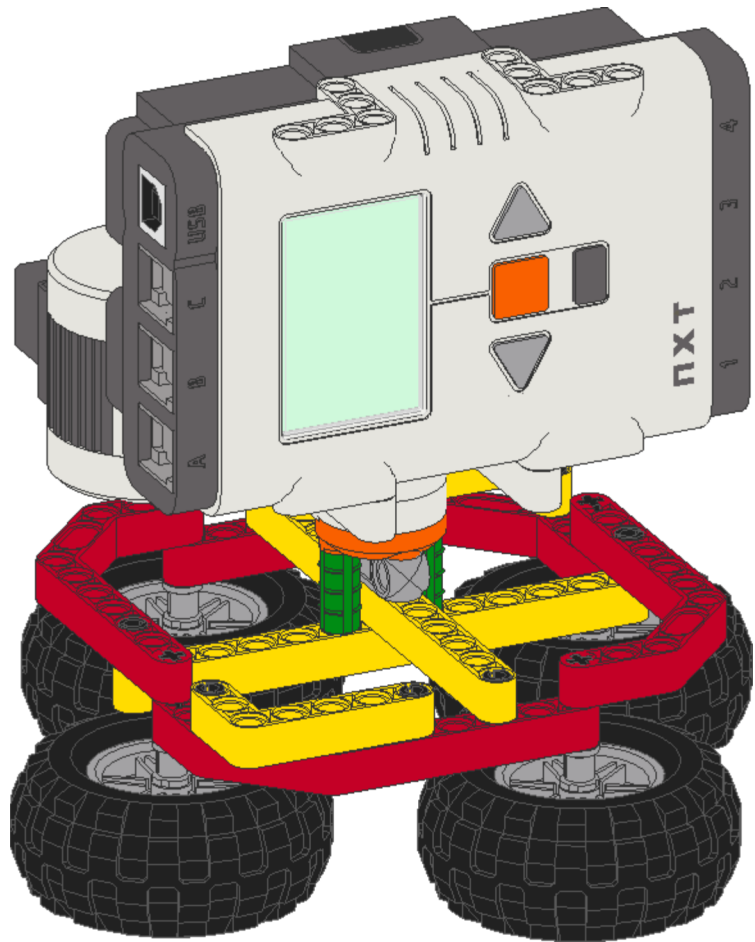
4  4x



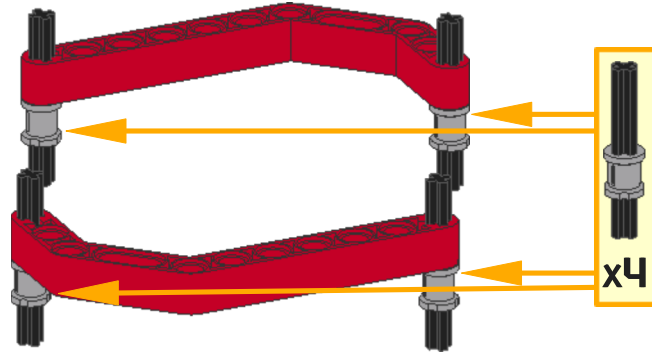
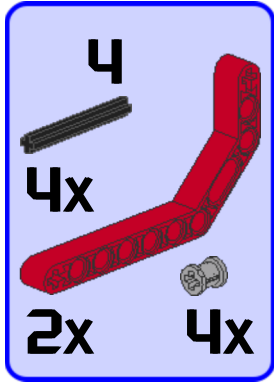
QUICK HEADBOT BASE



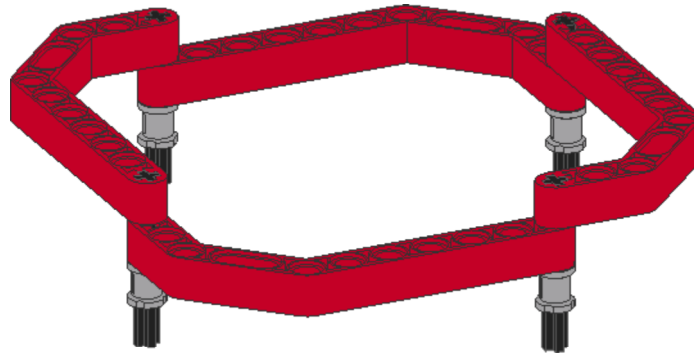
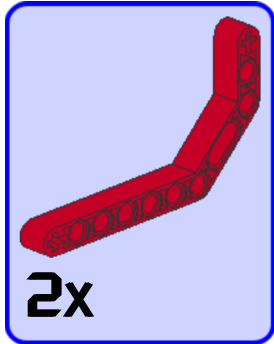
HEADBOT BASE



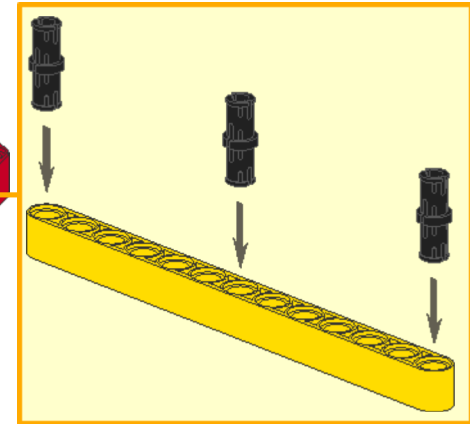
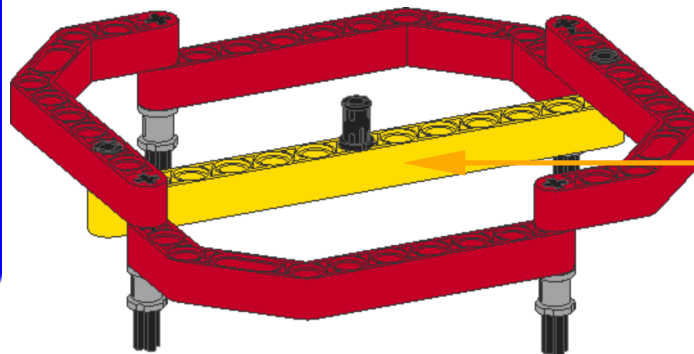
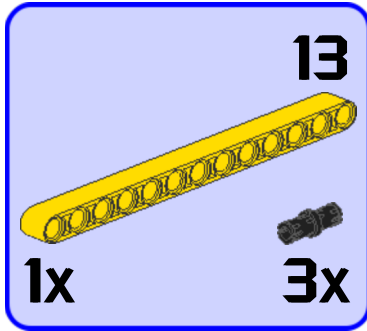
1



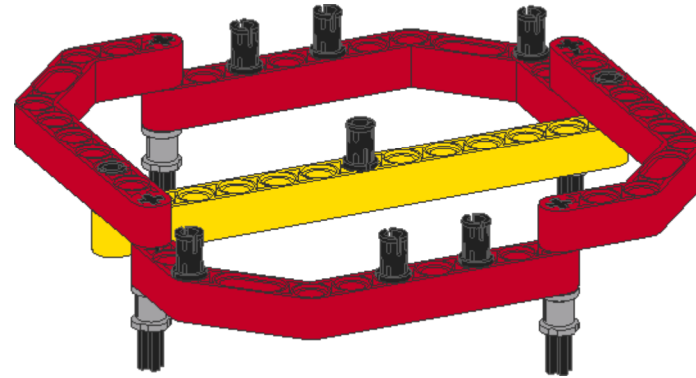
2

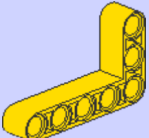
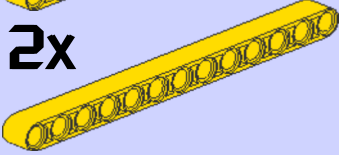


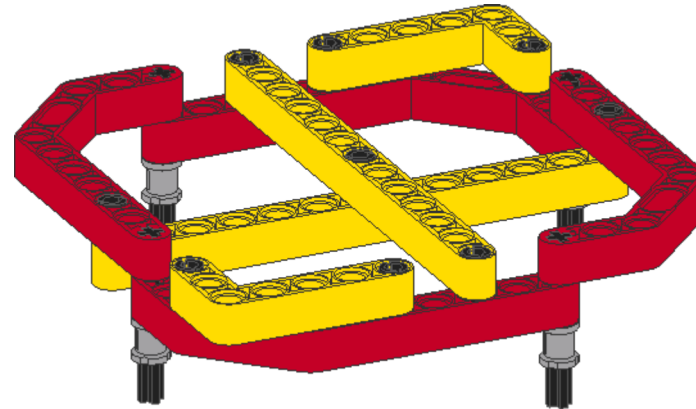
3

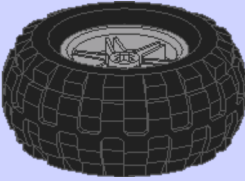
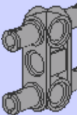

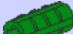


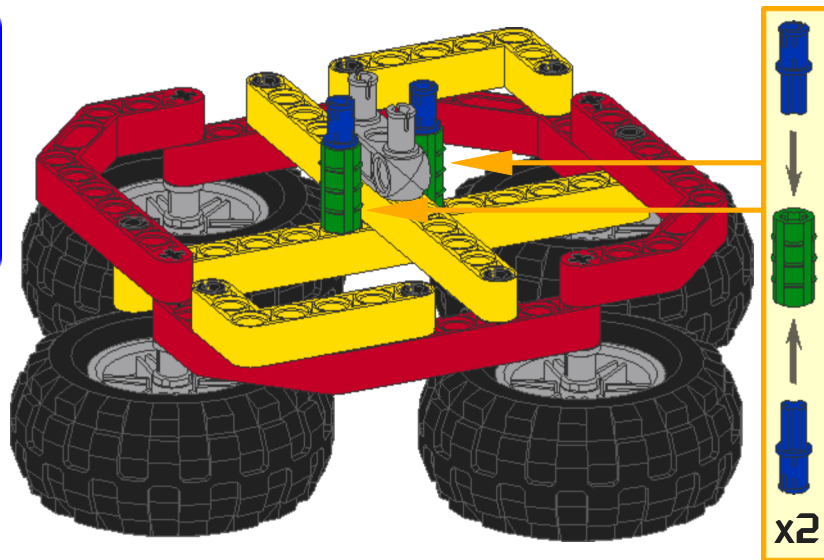
4  **6x**



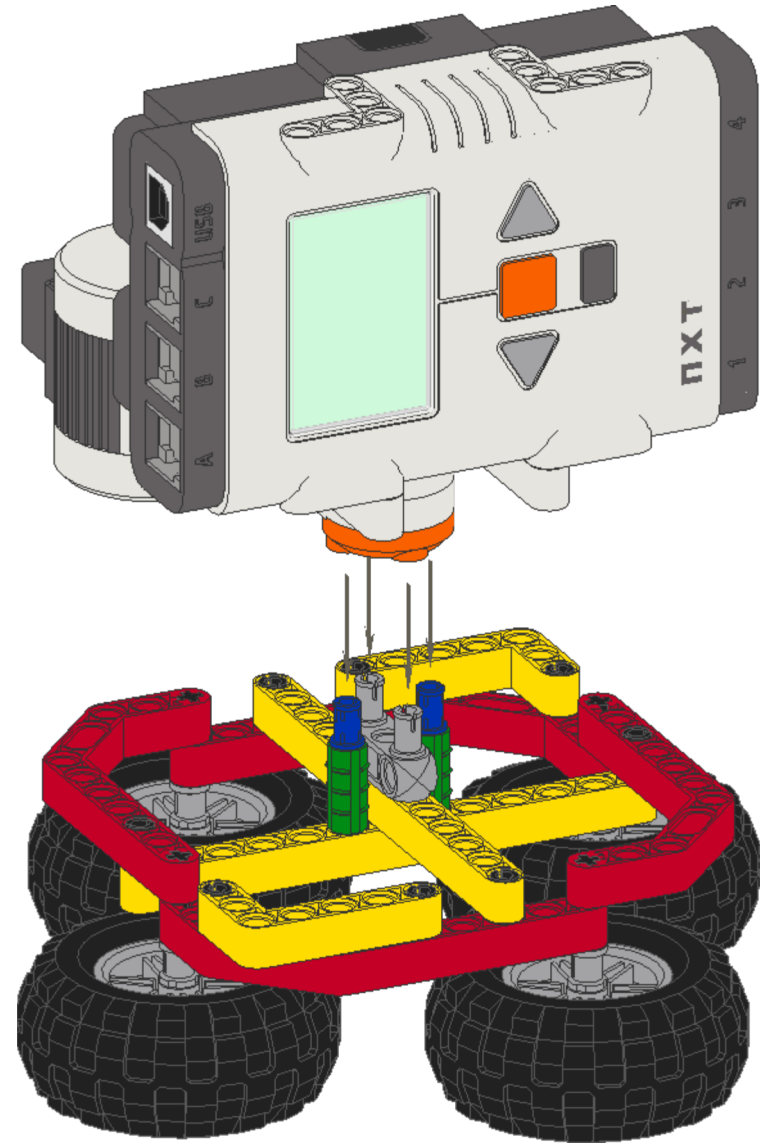
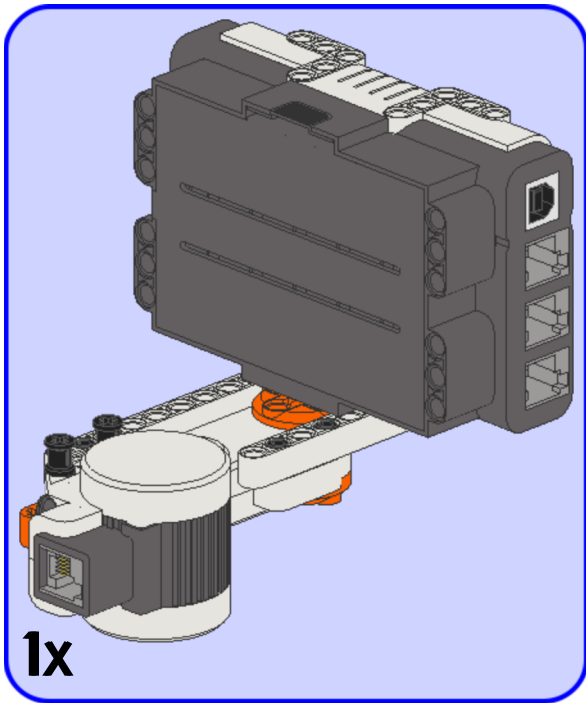
5  **2x**
 **1x**



6  **4x**
 **1x**
 **4x**
 **2x**

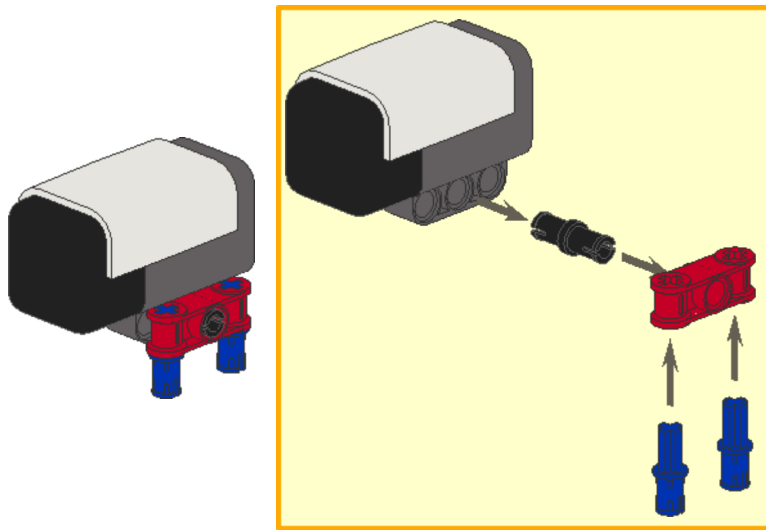


7

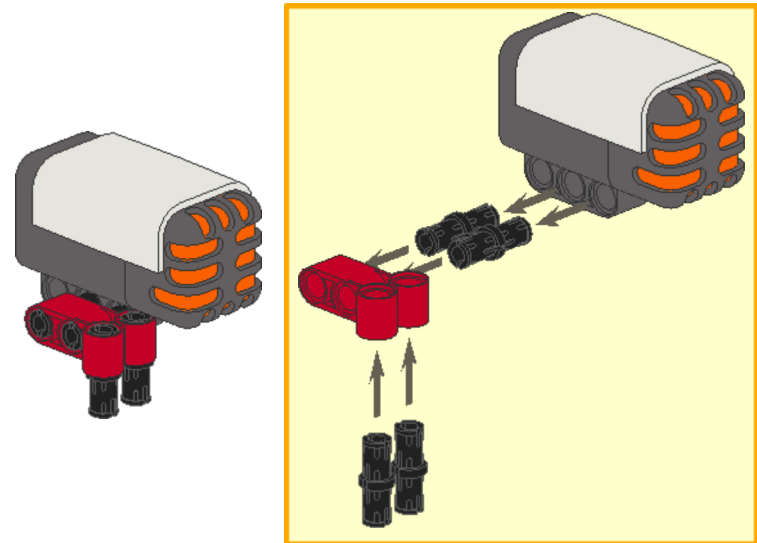


SENSOR MODULE IDEAS

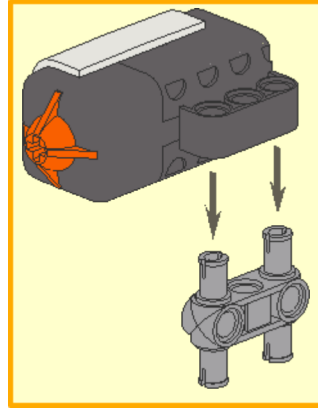
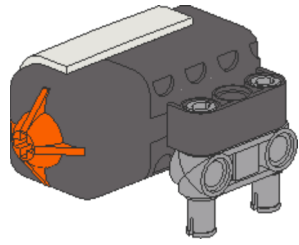
1



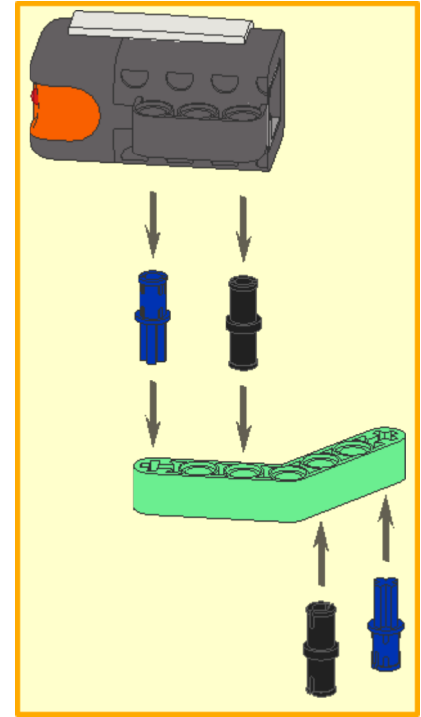
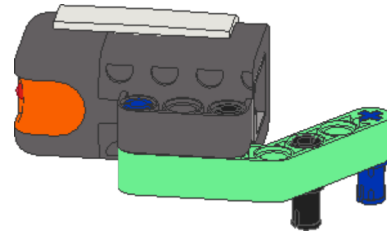
2



3



4



5

